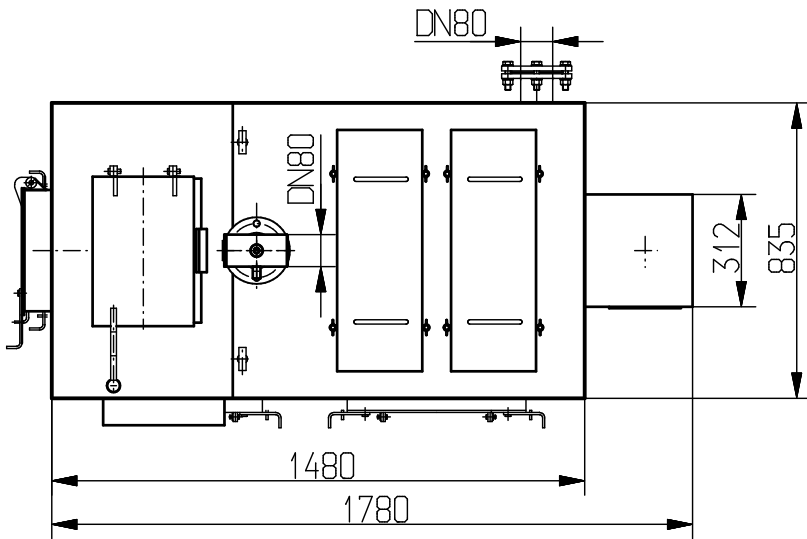
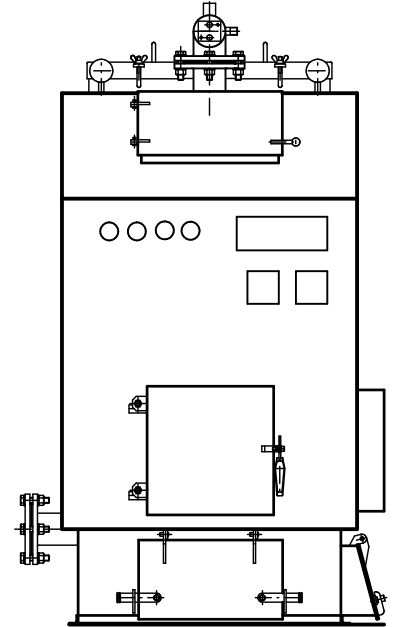
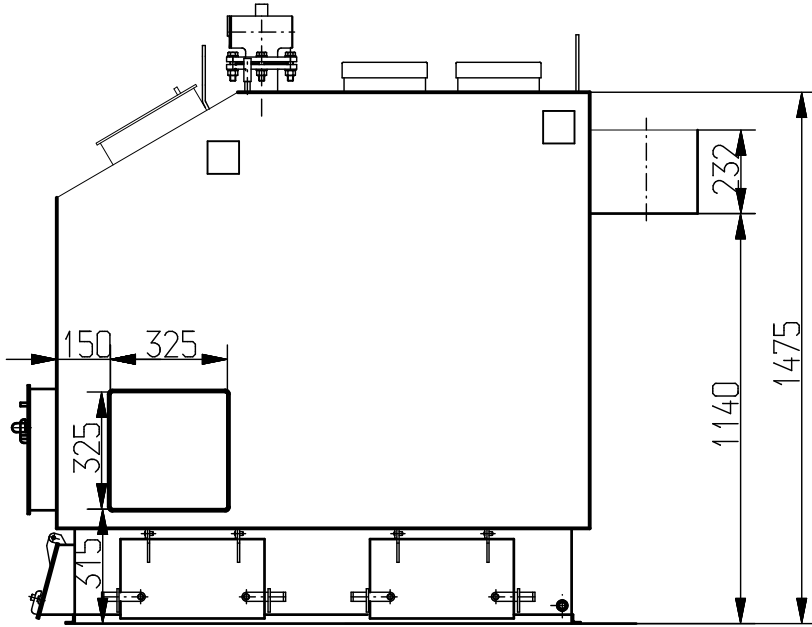
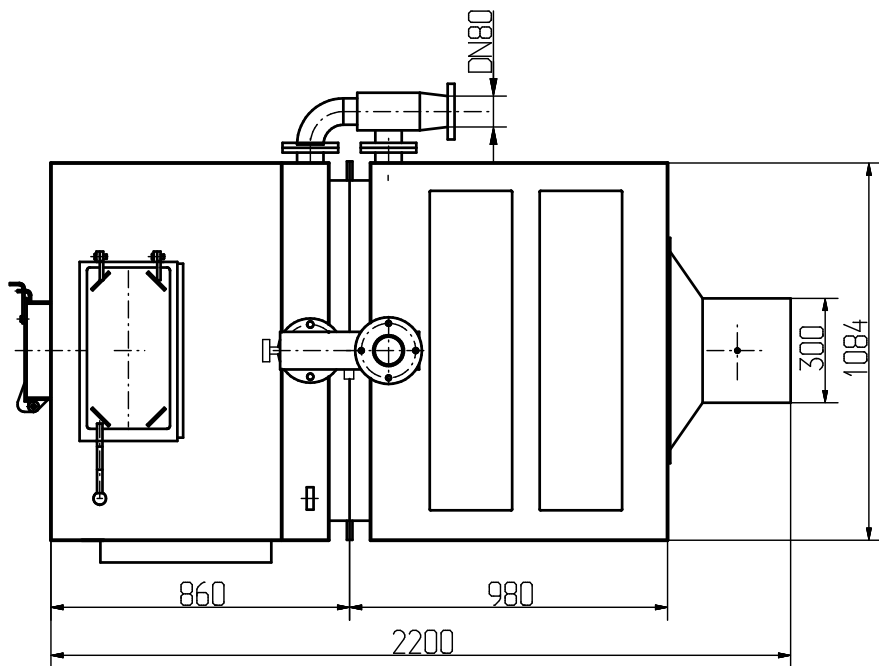
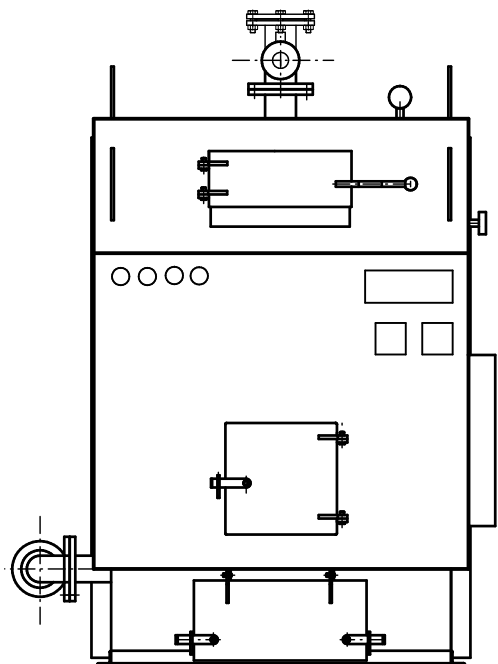
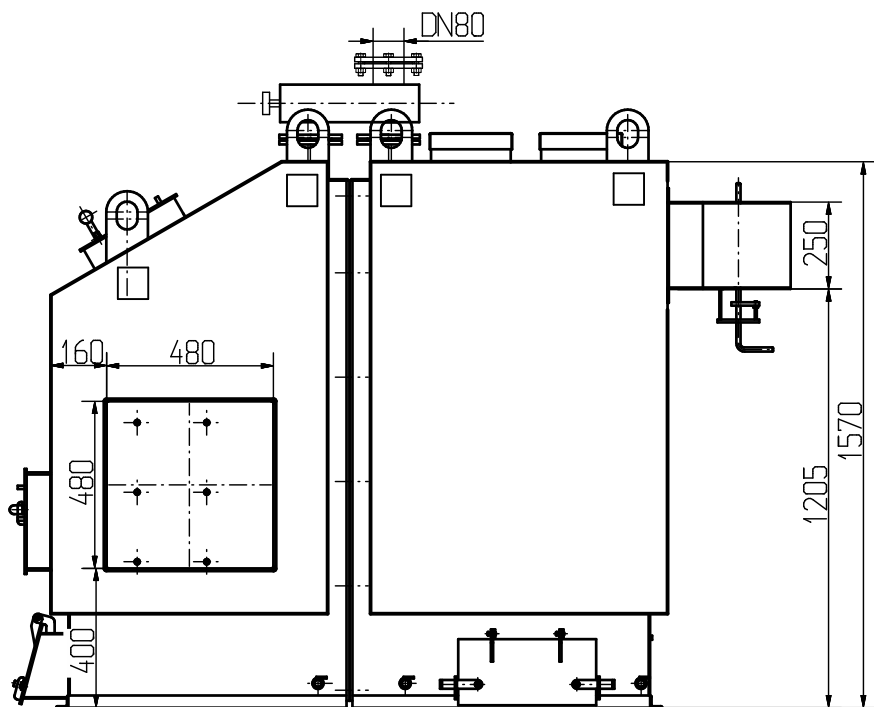


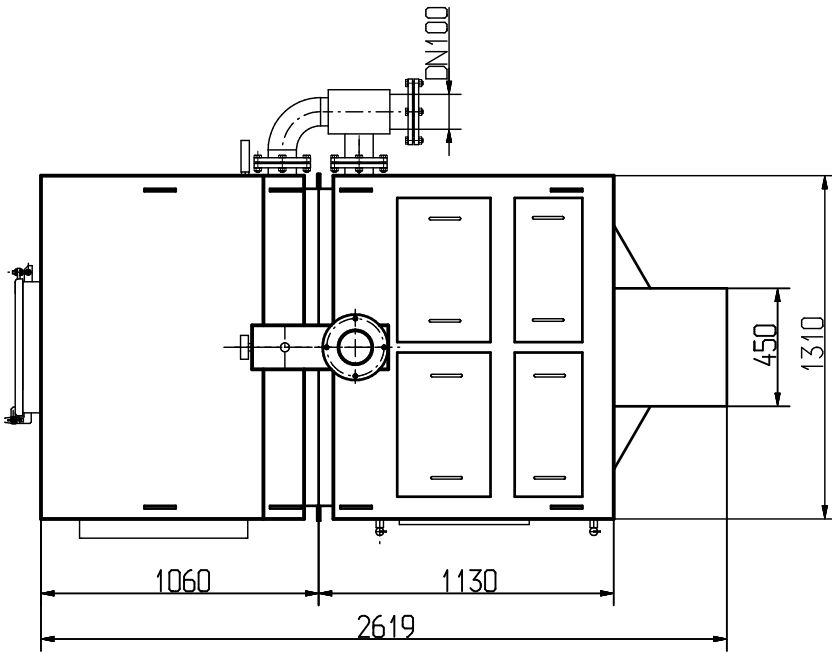
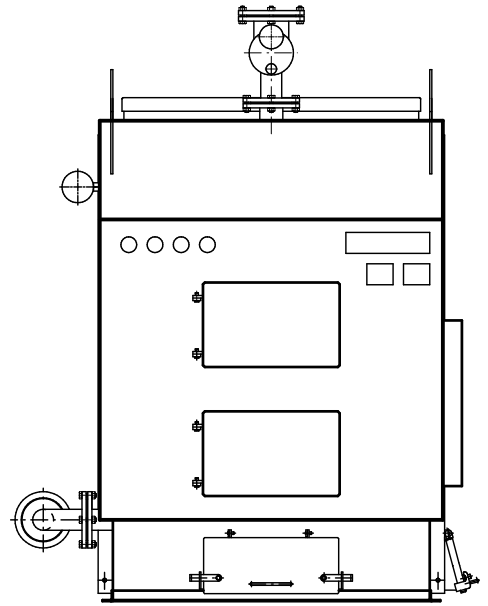
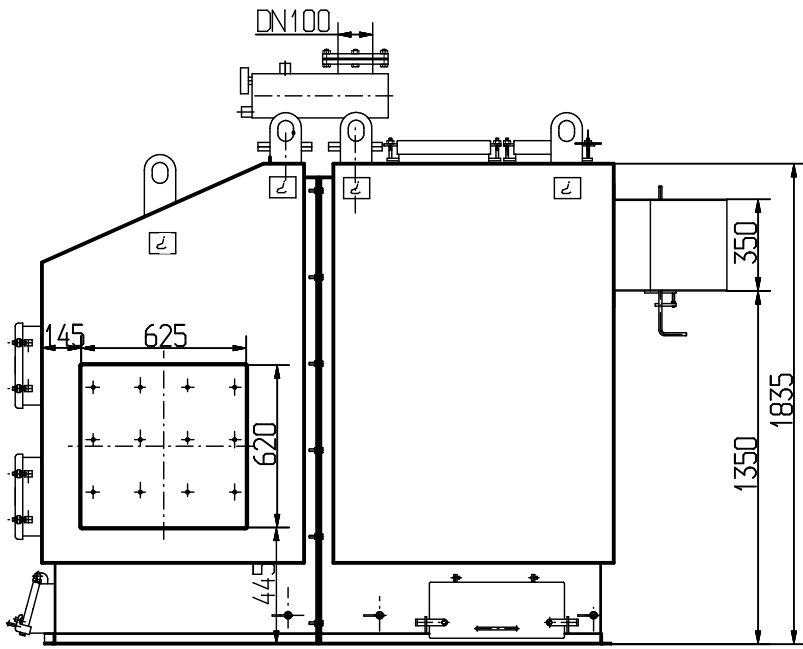
KWH-55



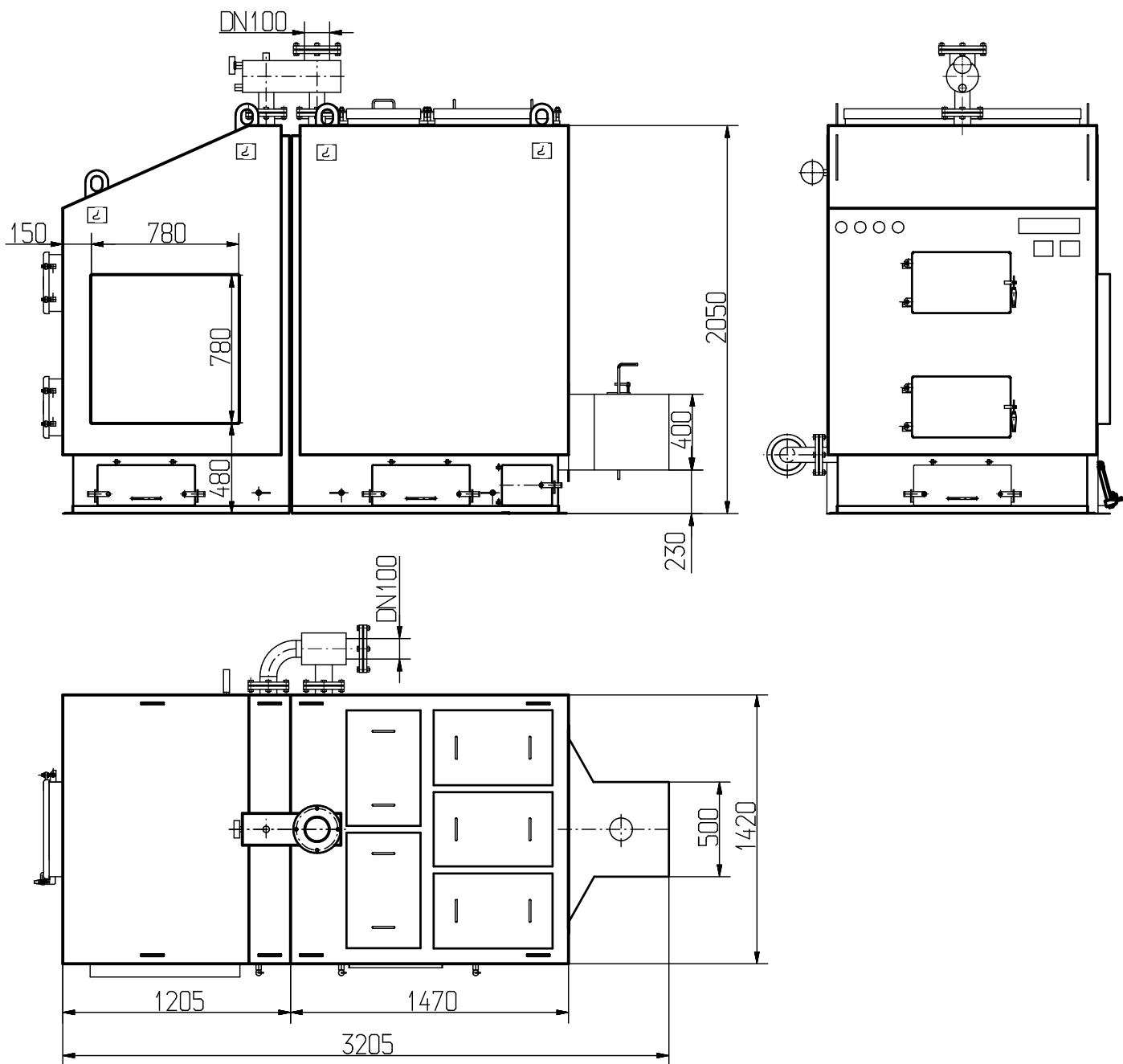
KWH-110



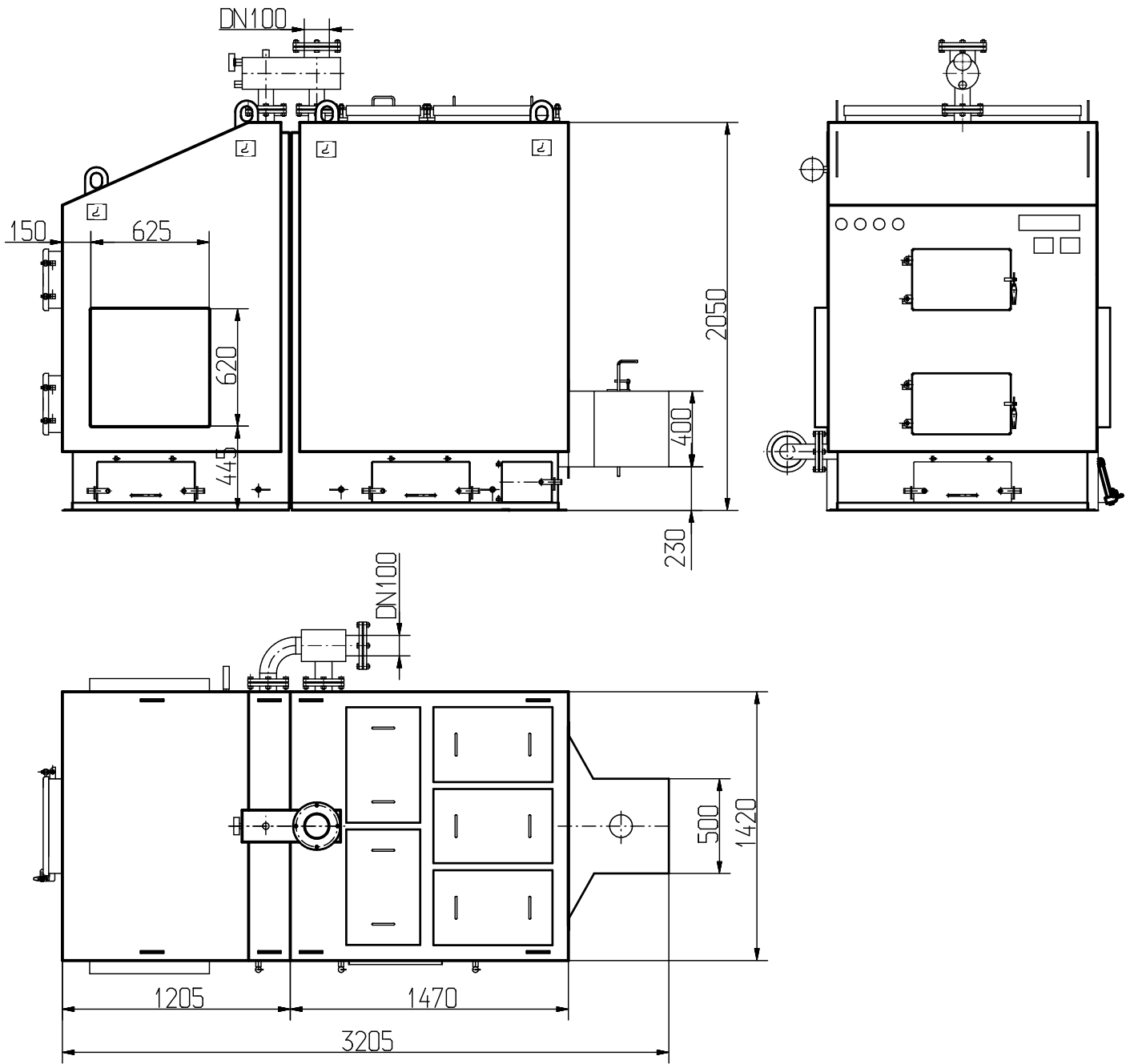
KWH-180



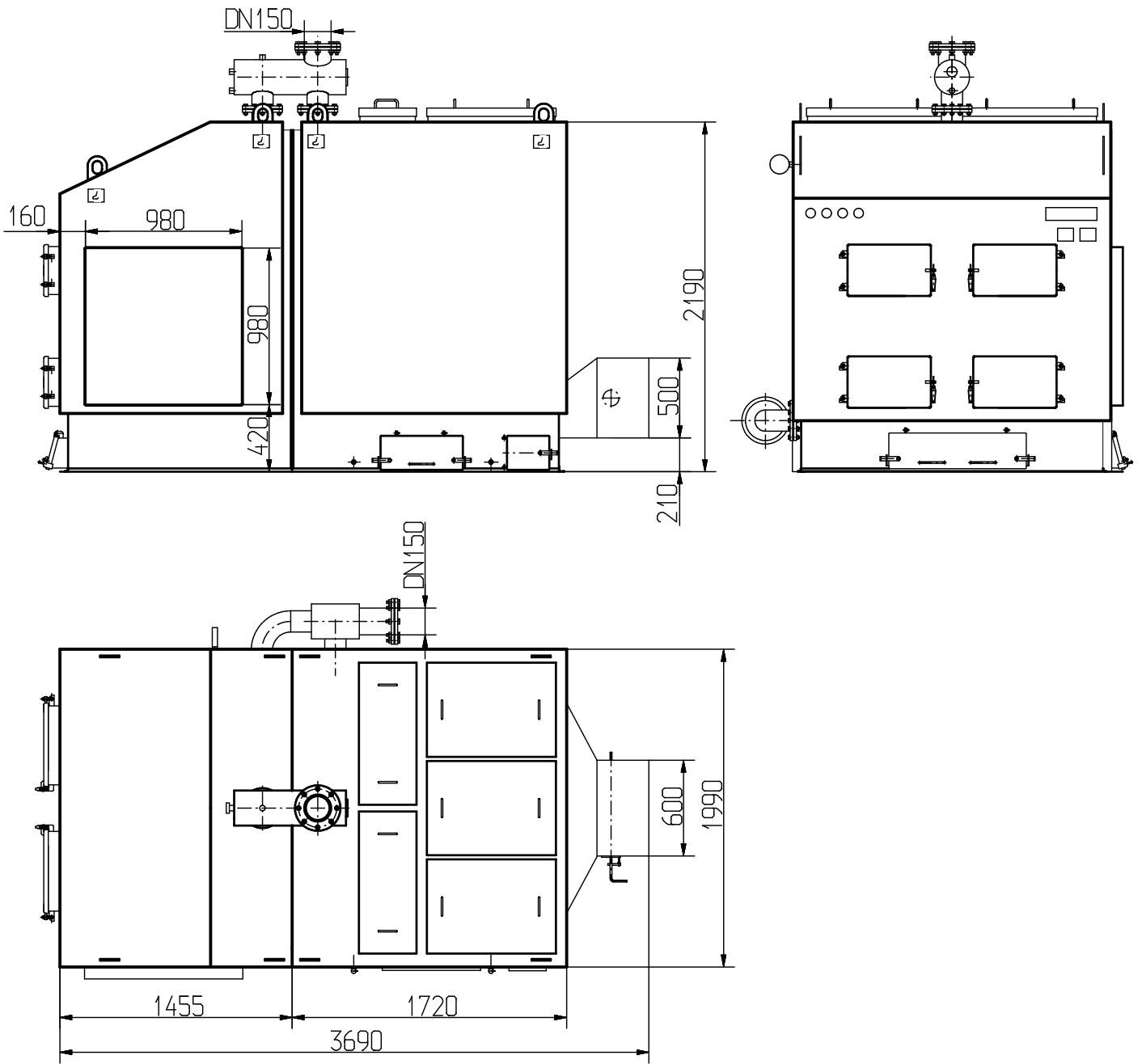
KWH-300



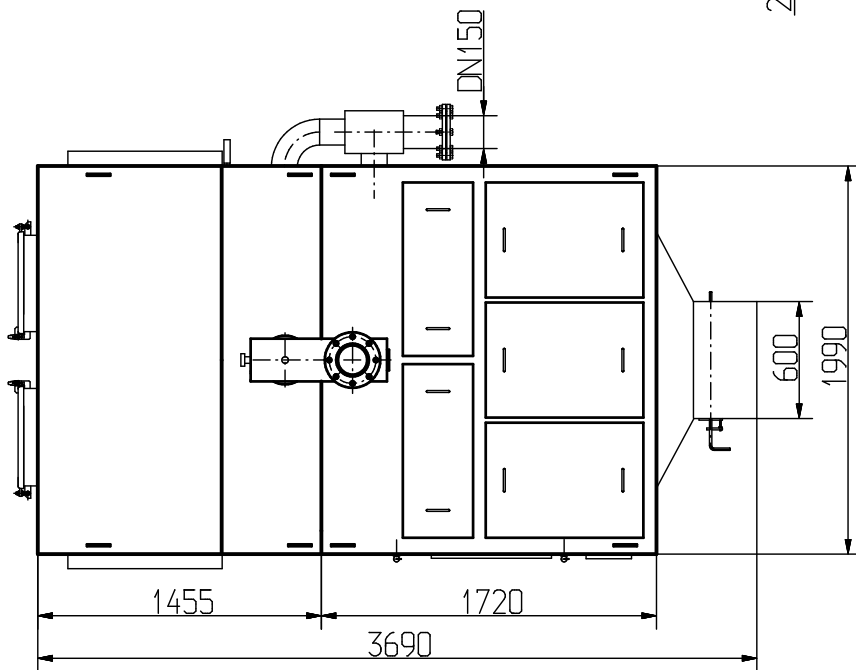
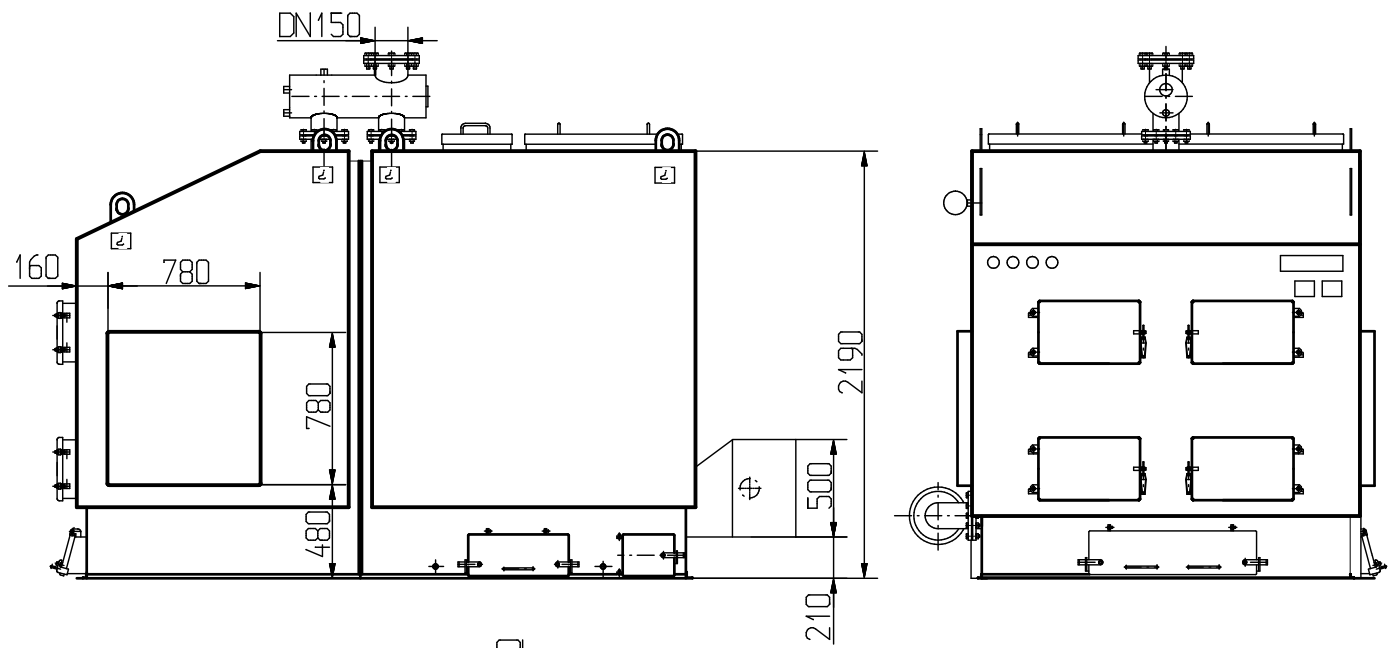
KWH-600



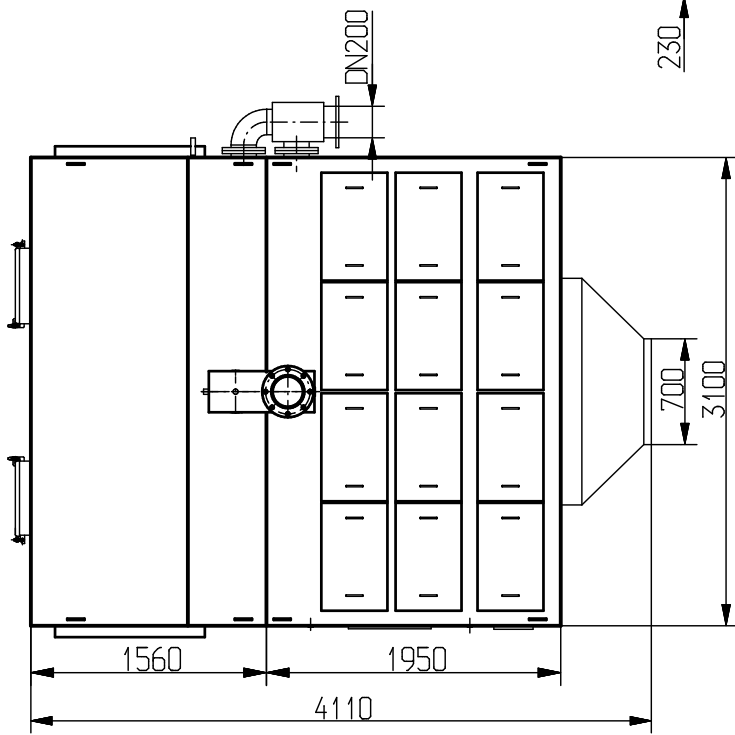
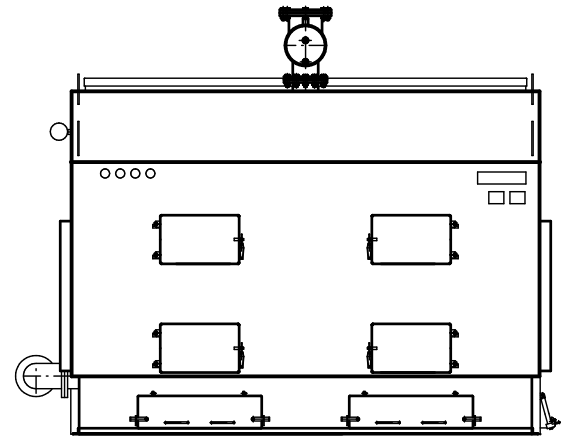
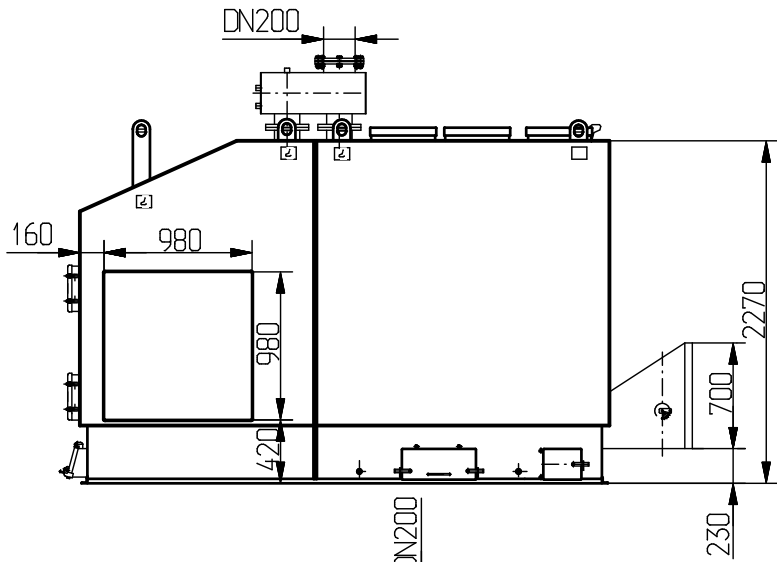
KWH-600/2xAZSD-250/



KWH-1000



KWH-1000/2xAZSD-500/



KWH-2000